



**Industrial Grade  
USB DiskOnModule  
(uDOM)  
Product Manual**

Corporate Headquarters  
Suite C, 15/F, Capital Trade Center  
62 Tsun Yip Street, Kwun Tong  
Kowloon, Hong Kong

---

*The information in this manual is believed to be accurate at the time of publication but is subject to change without notice. Cactus Technologies® Limited shall not be liable for technical or editorial errors or omissions contained herein; nor for incidental or consequential damages resulting from the furnishing, performance, or use of this material.*

*Cactus Technologies® makes no warranty, representation or guarantee regarding the suitability of its products for any particular purpose, nor does Cactus Technologies® assume any liability arising out of the application or use of its products, and specifically disclaims any and all liability, including without limitation consequential or incidental damages.*

*Cactus Technologies® products are not designed, intended or authorized for use as components in systems intended for surgical implant into the body or in other applications intended to support or sustain life or for any application where the failure of a Cactus Technologies® product can result in personal injury or death. Users of Cactus Technologies® products for such unintended and unauthorized applications shall assume all risk of such use and shall indemnify and hold Cactus Technologies® and its officers, employees, subsidiaries, affiliates and distributors harmless against all claims, costs, damages, expenses and attorney fees arising out of, directly or indirectly, any claim of personal injury or death associated with such unintended and unauthorized use, even if such claim alleges that Cactus Technologies® was negligent regarding the design or manufacture of the part.*

*All parts of the Cactus Technologies® documentation are protected by copyright law and all rights are reserved. This documentation may not, in whole or in part, be copied, photocopied, reproduced, translated, or reduced to any electronic medium or machine-readable form without prior consent, in writing, from Cactus Technologies® Limited.*

*© 2005-2016 Cactus Technologies Limited. All rights reserved.*

# Table of Contents

1.Introduction to Cactus Technologies Industrial Grade uDOM Products.....	1
1.1.Supported Standards.....	1
1.2.Product Features.....	1
1.2.1.Host and Technology Independence.....	2
1.2.2.Defect and Error Management.....	2
1.2.3.Intelligent Wear Leveling.....	2
2.Power Supply Requirements.....	2
2.1.System Environmental Specifications.....	3
2.2.System Power Requirements.....	3
2.3.System Performance.....	4
2.4.System Reliability.....	4
2.5.Physical Specifications.....	4
2.5.1.uDOM Connector.....	4
2.5.2.uDOM Physical Specifications.....	5
2.6.Capacity Specifications.....	7
2.6.1.uDOM Capacity Specifications.....	7
3.Interface Description.....	7
3.1.uDOM Pin Assignments and Pin Type.....	8
3.2.Electrical Specification.....	8
3.2.1.Absolute Maximum Ratings.....	8
3.2.2.DC Characteristics.....	8

# 1.Introduction to Cactus Technologies Industrial Grade uDOM Products

## Features:

- Solid state design with no moving parts
- Plugs into industry standard 10-pin USB headers
- Compliant with USB2.0 specifications
- Compliant with USB Mass Storage Class specifications v1.0
- Supports booting from USB device
- High reliability, MTTF > 6,500,000 hrs.
- Enhanced error correction with 8-bit BCH ECC
- Comes in standard or low profile configurations

## Overview:

Cactus Technologies® USB DiskOnModule (uDOM) is a low capacity solid-state flash memory product that complies with the USB2.0 standard. Cactus Technologies® uDOMs provide up to 8GB of formatted storage capacity and is designed to plug in directly to 10-pin USB headers on industrial PC motherboards. Cactus Technologies® uDOMs are designed to be used in applications which requires a low capacity solid state disk that is compatible with USB interface.

Cactus Technologies® Industrial Grade uDOM products use high quality flash memory from well known vendors, such as Toshiba Corporation. In addition, they include an on-drive intelligent controller that manages interface protocols, data storage and retrieval as well as ECC, defect handling and diagnostics, power management, and clock control.

## 1.1. Supported Standards

Cactus Technologies® uDOM is fully electrically compatible with the following specification:

- USB2.0 Specification published by the USB Implementor's Forum

## 1.2. Product Features

Cactus Technologies® Industrial uDOM contains a high level, intelligent controller. This intelligent controller provides many capabilities including the following:

- USB command processing.
- Management of erasing and programming the flash memory independent of the host system

- Sophisticated defect managing capabilities (similar to magnetic disk drives).
- Sophisticated system for error recovery using powerful error correction code (ECC).
- Intelligent power management for low power operation.

### **1.2.1. Host and Technology Independence**

Cactus Technologies® Industrial uDOM appears as a standard USB mass storage device to the host system. The host computer software simply issues USB commands to the drive as per the USB specifications. The host software then waits for the commands to complete. The host system does not get involved in the details of how the flash memory is erased, programmed or read as this is all managed by the built-in controller in the drive. Also, with the intelligent on-board controller, the host system software will not require changing as new flash memory evolves. Thus, systems that support the Cactus Technologies® Industrial uDOM products today will continue to work with future Cactus Technologies® Industrial uDOMs built with new flash technology without having to update or change host software.

### **1.2.2. Defect and Error Management**

Cactus Technologies® Industrial uDOM contains a sophisticated defect and error management system similar to those found in magnetic disk drives. The defect management is completely transparent to the host and does not consume any user data space.

The soft error rate for Cactus Technologies® Industrial uDOMs is much lower than that of magnetic disk drives. In the extremely rare case where a read error does occur, the drive has sophisticated ECC to recover the data.

These defect and error management systems, coupled with the solid-state construction, give Cactus Technologies® Industrial uDOMs unparalleled reliability.

### **1.2.3. Intelligent Wear Leveling**

Cactus Technologies® Industrial uDOM employs sophisticated static, dynamic and global wear leveling algorithms and intelligent bad block management to ensure high data reliability and to maximize product life.

## **2. Power Supply Requirements**

Cactus Technologies® Industrial uDOM operates off the standard USB bus power supply of 5.00 volts  $\pm$  10%.

For all the following specifications, values are defined at ambient temperature and nominal supply voltage unless otherwise stated.

## 2.1. System Environmental Specifications

**Table 2-2.1. Environmental Specifications**

		<b>Cactus Technologies® uDOM</b>
<b>Temperature</b>	Operating:	0° C to +70° C (Standard) -45° C to +90° C (Extended)
<b>Humidity</b>	Operating & Non- Operating:	8% to 95%, non- condensing
<b>Acoustic Noise</b>		0 dB
<b>Vibration</b>	Operating & Non- Operating:	20 G MIL-STD-883G Method 2005.2 condition A
<b>Shock</b>	Operating & Non- Operating:	3000G MIL-STD-883G Method 2002.3 condition C
<b>Altitude (relative to sea level)</b>	Operating & Non- Operating:	100,000 feet maximum

## 2.2. System Power Requirements

**Table 2-2.2. Power Requirements**

		<b>Cactus Technologies® Industrial uDOM</b>
<b>DC Input Voltage (VCC) 100 mV max. ripple (p-p)</b>		5V ±10%
<b>(Maximum Average Value) See Notes.</b>	Standby: Reading: Writing:	58mA 130 mA 130 mA

**NOTES:** All values quoted are worst case at low temperature and high supply voltage unless otherwise stated.

Sleep mode is specified under the condition that all drive inputs are static CMOS levels and in a “Not Busy” operating state.

## 2.3. System Performance

All performance timings are typical values under normal operating conditions and assuming the drive controller is in the default (i.e., fastest) mode.

**Table 2-2.3. Performance**

<b>Read Transfer Rate</b>		up to 33 MBytes/sec
<b>Write Transfer Rate</b>		up to 26 MBytes/sec

## 2.4. System Reliability

**Table 2-2.4. Reliability**

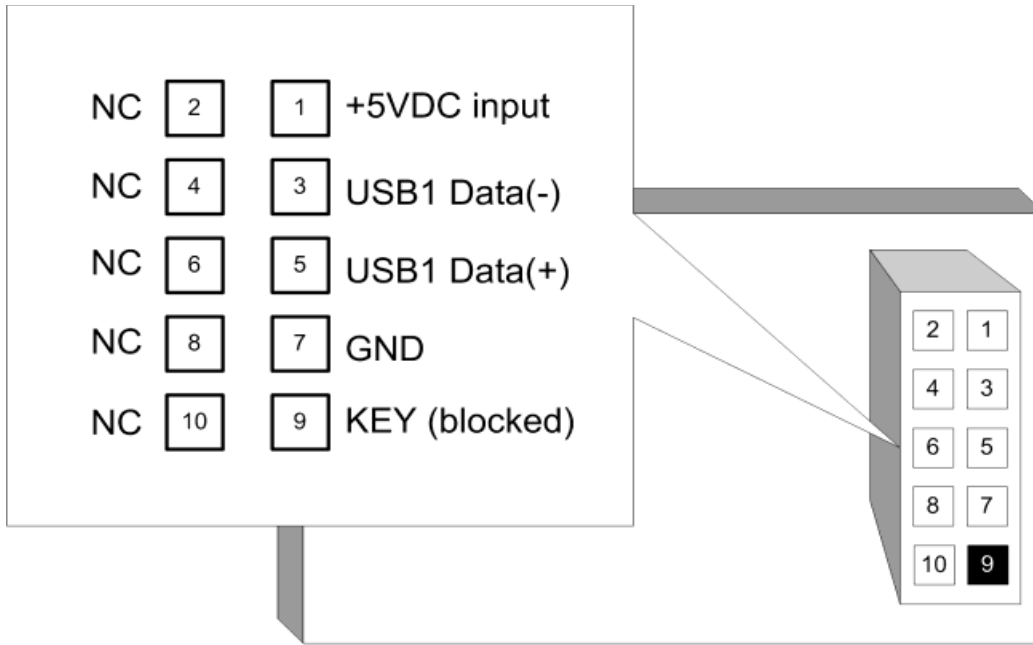
MTTF (@ 25°C)	> 6,500,000 hours
Data Reliability	< 1 non-recoverable error in $10^{14}$ bits READ
Endurance:	> 2,000,000 erase/program cycles

## 2.5. Physical Specifications

The following sections provide the physical specifications for Cactus Technologies® Industrial uDOM products.

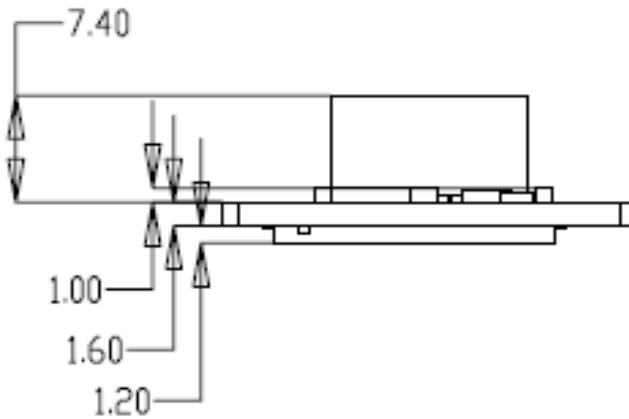
### 2.5.1. uDOM Connector

Cactus Technologies® uDOM utilizes the standard 10-pin USB header found on many PC motherboards. The pinout for this connector is as shown below:



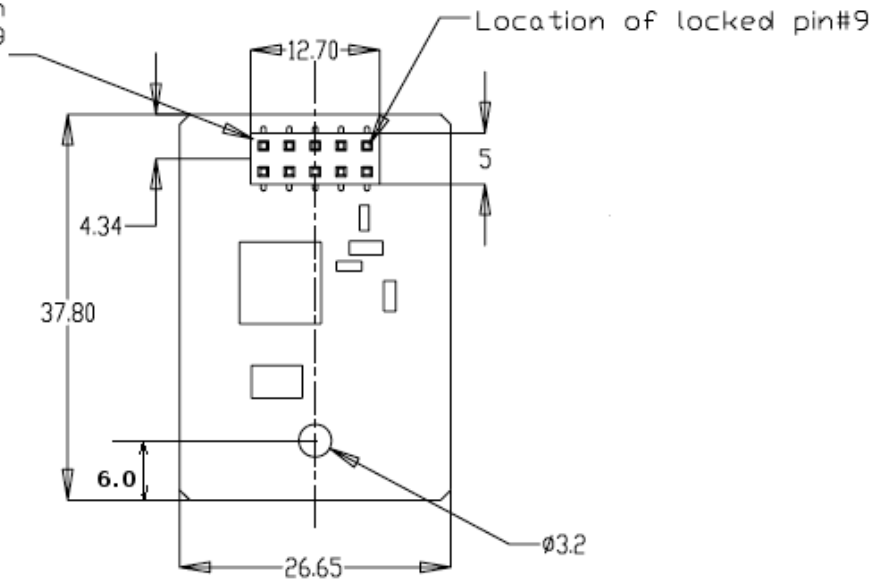
**2.5.2. uDOM Physical Specifications**

Refer to Figure 2-1 for Cactus Technologies® standard profile uDOM physical specifications and dimensions and Figure 2-2 for Cactus Technologies® low profile uDOM physical specifications.

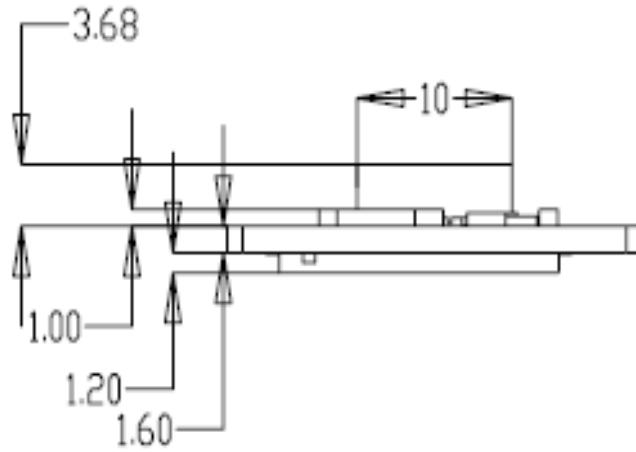




Female connector 2x5 2.54mm pitch  
with locked pin #9



**Figure 2-2.1. Standard Profile uDOM physical specifications**



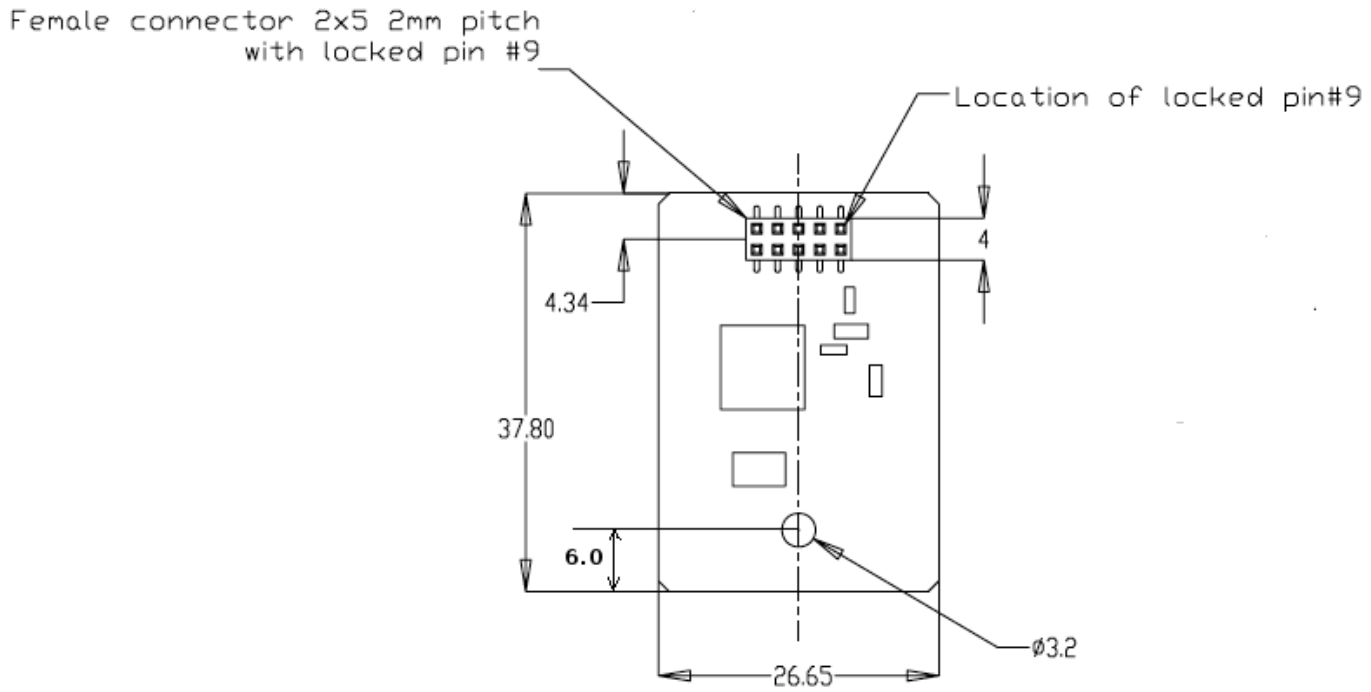


Figure 2-2.2 Low Profile uDOM physical specifications

## 2.6. Capacity Specifications

The following sections provide capacity specifications for Cactus Technologies® uDOM products.

### 2.6.1. uDOM Capacity Specifications

Cactus Technologies® uDOM product is offered in capacities of 1,2,4 or 8 GB.

## 3. Interface Description

The following sections provide detailed information on the Cactus Technologies® Industrial uDOM interface.

## 3.1. uDOM Pin Assignments and Pin Type

The signal/pin assignments are listed in Table 3-3.1. Low active signals have a “-” prefix. Pin types are Input, Output or Input/Output. Sections 3.3.1 to 3.3.4 define the DC characteristics for all input and output type structures.

**Table 3-3.1. uDOM Pin Assignments and Pin Type**

Pin #	Signal Name	Pin Type	Pin #	Signal Name	Pin Type
1	5V Vcc	power	2	NC	
3	USB1 D-	I/O	4	NC	
5	USB1 D+	I/O	6	NC	
7	GND	power	8	NC	
9	Key (no pin)		10	NC	

## 3.2. Electrical Specification

The following table defines all D.C. Characteristics for the uDOM. Unless otherwise stated, conditions are:

$$V_{cc} = 5V \pm 10\%$$

$$T_a = -45^{\circ}\text{C to } 90^{\circ}\text{C}$$

### 3.2.1. Absolute Maximum Ratings

Parameter	Symbol	MIN	MAX	Units
Storage Temperature	T <sub>s</sub>	-65	+150	°C
Operating Temperature	T <sub>A</sub>	-45	+90	°C
Vcc with respect to GND	V <sub>cc</sub>	-0.3	6.5	V

### 3.2.2. DC Characteristics

Parameter	Symbol	MIN	MAX	Units
Input Levels USB D+,D-, Full Speed Mode				
Low	V <sub>IL</sub>	-	0.8	V
High	V <sub>IH</sub>	2.0	-	
Output Levels USB D+, D-, Full Speed Mode				
Low	V <sub>OL</sub>	0	0.3	V
High	V <sub>OH</sub>	2.8	3.6	
Output Signal Crossover Voltage USB D+, D-, Full Speed Mode	V <sub>CRS</sub>	1.3	2	V

Parameter	Symbol	MIN	MAX	Units
Input Levels USB D+, High Speed Mode				
Low	$V_{IL}$	-10	10	mV
High	$V_{IH}$	360	440	
Input Levels USB D-, High Speed Mode				
Low	$V_{IL}$	360	440	mV
High	$V_{IH}$	-10	10	
Output Levels USB D+, D-, High Speed Mode				
Low	$V_{OL}$	-10	10	mV
High	$V_{OH}$	360	440	
Operating Current	$I_{CC}$			mA
Suspend			2.5	
Active			200	

# Appendix A. Ordering Information

## A.1. uDOM

Model KUXRY-100Z

Where X is drive capacities:

1G ----- 1GB

2G ----- 2GB

4G ----- 4GB

8G ----- 8GB

Where Y is temperature

Blank ----- Standard temperature (0° C to +70° C)

I ----- Extended temperature (-45° C to +90° C)

Where Z is form factor

M1 ----- Standard Profile

M2 ----- Low Profile

Example:

(1) 2GB Standard Profile uDOM ----- KU2GR-100M1

(2) 1GB Low Profile uDOM Extended Temp ----- KU1GRI-100M2

## **Appendix B. Technical Support Services**

### **B.1. Direct Cactus Technical Support**

Cactus Technologies Limited  
Suite C, 15/F, Capital Trade Center  
62 Tsun Yip Street, Kwun Tong  
Kowloon, Hong Kong

Tel: +852-27972261

Fax: +852-27973777

Email: [tech@cactus-tech.com](mailto:tech@cactus-tech.com)

## Appendix C.Cactus Worldwide Sales Offices

Cactus Technologies Limited  
Suite C, 15/F, Capital Trade Center  
62 Tsun Yip Street, Kwun Tong  
Kowloon, Hong Kong

Tel: +852-27972277

Fax: +852-27973777

Email: [sales@cactus-tech.com](mailto:sales@cactus-tech.com)

### **US Office:**

Cactus USA  
3112 Windsor Road , Suite A356  
Austin, Texas 78703  
Tel: (512) 775 0746  
Email: [americas@cactus-tech.com](mailto:americas@cactus-tech.com)

## Appendix D. Limited Warranty

### I. WARRANTY STATEMENT

Cactus Technologies® warrants its Industrial Grade products only to be free of any defects in materials or workmanship that would prevent them from functioning properly for five years from the date of purchase. This express warranty is extended by Cactus Technologies®, Limited

### II. GENERAL PROVISIONS

This warranty sets forth the full extent of Cactus Technologies® responsibilities regarding the Cactus Technologies® Industrial Grade Flash Storage Products. Cactus Technologies®, at its sole option, will repair, replace or refund the purchase price of the defective product. Cactus Technologies® guarantees our products meet all specifications detailed in our product manuals. Although Cactus Technologies® products are designed to withstand harsh environments and have the highest specifications in the industry, they are not warranted to never have failure and Cactus Technologies® does not warranty against incidental or consequential damages. Accordingly, in any use of products in life support systems or other applications where failure could cause injury or loss of life, the products should only be incorporated in systems designed with appropriate redundancy, fault tolerant or backup features.

### III. WHAT THIS WARRANTY COVERS

For products found to be defective within five years of purchase, Cactus Technologies® will have the option of repairing or replacing the defective product, if the following conditions are met:

- A. The defective product is returned to Cactus Technologies® for failure analysis as soon as possible after the failure occurs.
- B. An incident drive filled out by the user, explaining the conditions of usage and the nature of the failure, accompanies each returned defective product.
- C. No evidence is found of abuse or operation of products not in accordance with the published specifications, or of exceeding storage or maximum ratings or operating conditions.

All failing products returned to Cactus Technologies® under the provisions of this limited warranty shall be tested to the product's functional and performance specifications. Upon confirmation of failure, each product will be analyzed, by whatever means necessary, to determine the root cause of failure. If the root cause of failure is found to be not covered by the above provisions, then the product will be returned to the customer with a report indicating why the failure was not covered under the warranty.

This warranty does not cover defects, malfunctions, performance failures or damages to the unit resulting from use in other than its normal and customary manner, misuse, accident or neglect; or improper alterations or repairs.

Cactus Technologies® reserves the right to repair or replace, at its discretion, any product returned by its customers, even if such product is not covered under warranty, but is under no obligation to do so.



#### **IV. RECEIVING WARRANTY SERVICE**

According to Cactus Technologies® warranty procedure, defective product should be returned only with prior authorization from Cactus Technologies® Limited Please contact Cactus Technologies® Customer Service department with the following information: product model number and description, nature of defect, conditions of use, proof of purchase and purchase date. If approved, Cactus Technologies® will issue a Return Material Authorization or Product Repair Authorization number. Ship the defective product to:

Cactus Technologies Limited  
Suite C, 15/F, Capital Trade Center  
62 Tsun Yip Street, Kwun Tong  
Kowloon, Hong Kong